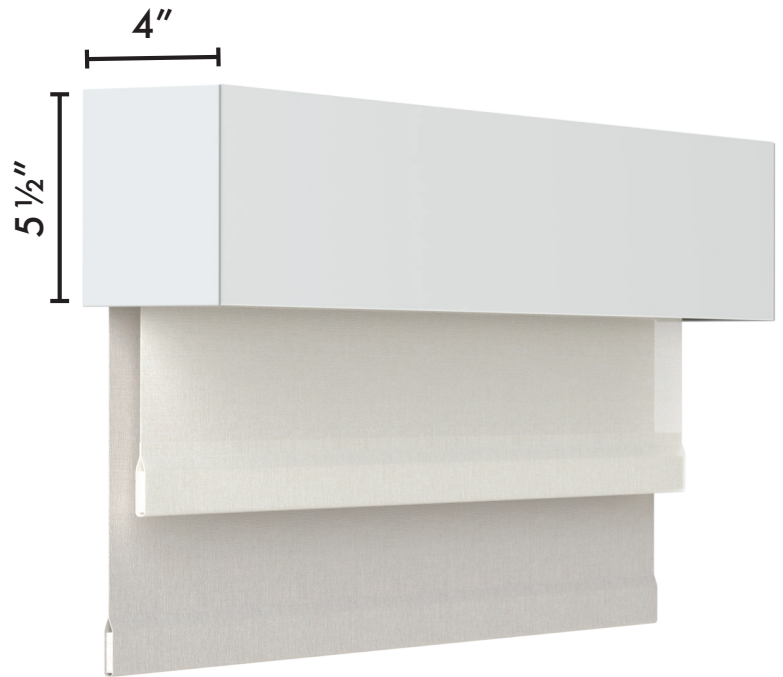
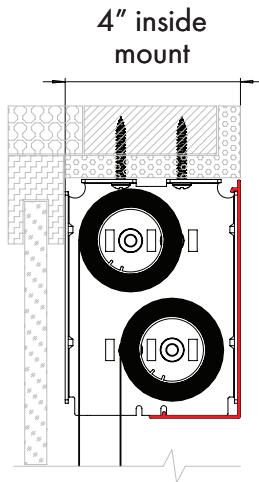


Insolroll Dual Motorized Window Shade Fascia Systems

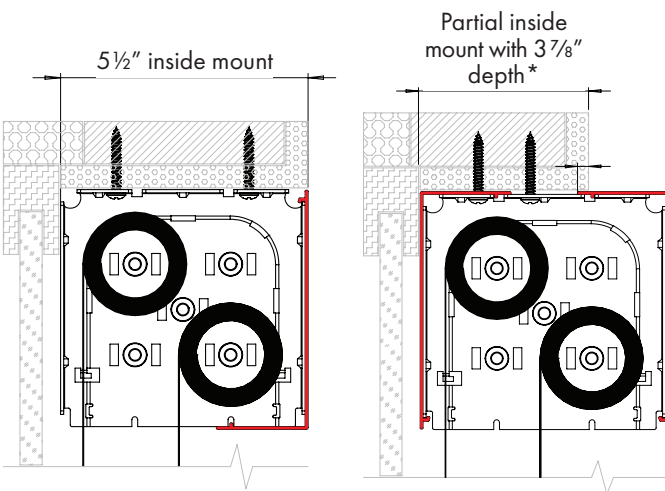
Slim Dual Fascia System

Most solar screen and blackout fabrics work with 1 1/2" tube for sizes up to 8' wide OR 10' high.



Medium Dual Fascia System

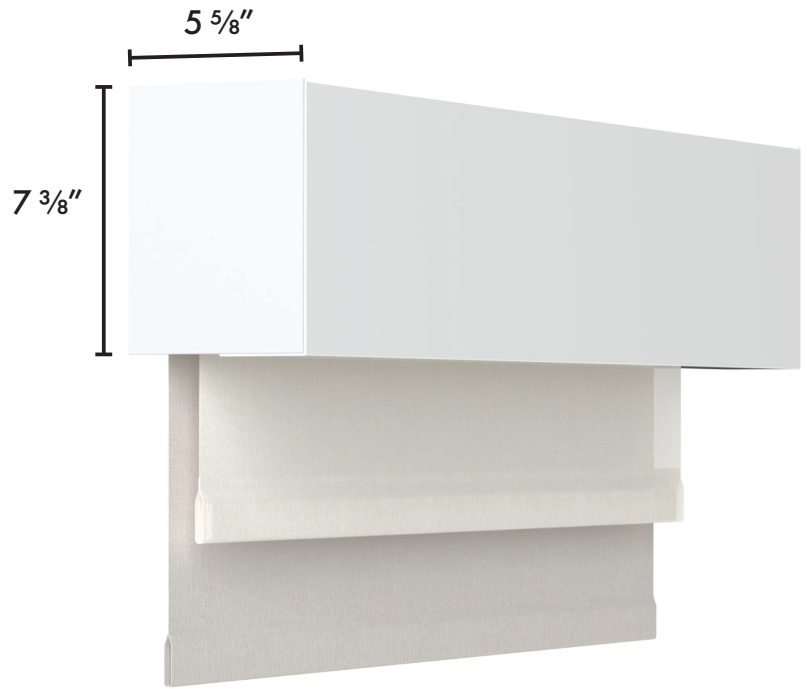
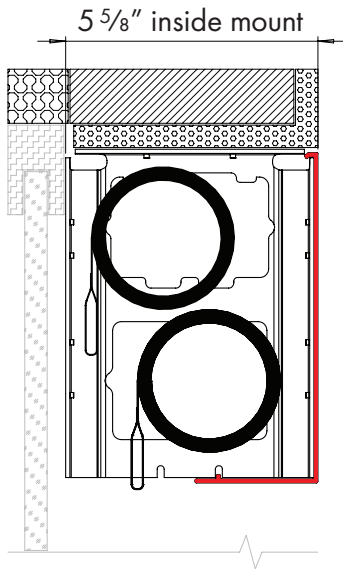
Accommodates most screen and blackout fabrics with 2" tube on sizes up to 10' wide OR 14' high.



*Fascia can be flipped to create Top/Back Cover and reduce light leak through top corner of shade on partial inside mount.

Tall Dual Fascia System

Accommodates most screen and blackout fabrics with 2 1/2" tube for sizes up to 12' wide OR 16' high. Can be coupled.



Model	Dimensions	Motors	Tube	Colors
Slim Dual Shade System	4" projection by 5 1/2" height	<ul style="list-style-type: none"> • BAT-L1 • BAT-X1 • BAT-L2 <ul style="list-style-type: none"> • IQM-DCR 	1 1/2"	White, Black, Clear Anodized, Bronze
Medium Dual Shade System	5 1/2" projection by 5 1/2" height	<ul style="list-style-type: none"> • BAT-X1 • BAT-L1 • BAT-L2 <ul style="list-style-type: none"> • IQM-AC2 • IQM-ACR2 <ul style="list-style-type: none"> • IQM-DCR 	1 1/2" or 2"	White, Black, Clear Anodized, Bronze
Tall Dual Shade System	5 5/8" projection by 7 3/8" height	<ul style="list-style-type: none"> • BAT-L3 <ul style="list-style-type: none"> • IQM-AC • IQM-ACR • IUQ-AC • IUQ-ACR <ul style="list-style-type: none"> • IUQ-DCR 	2 1/2"	White, Black, Clear Anodized

Note: Measurements are approximate. For exact dimensions please refer to the architectural drawings.

