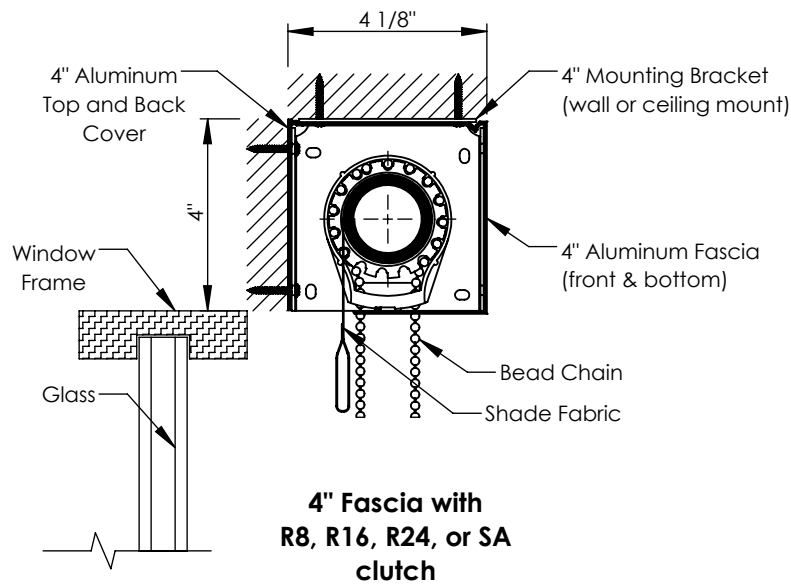
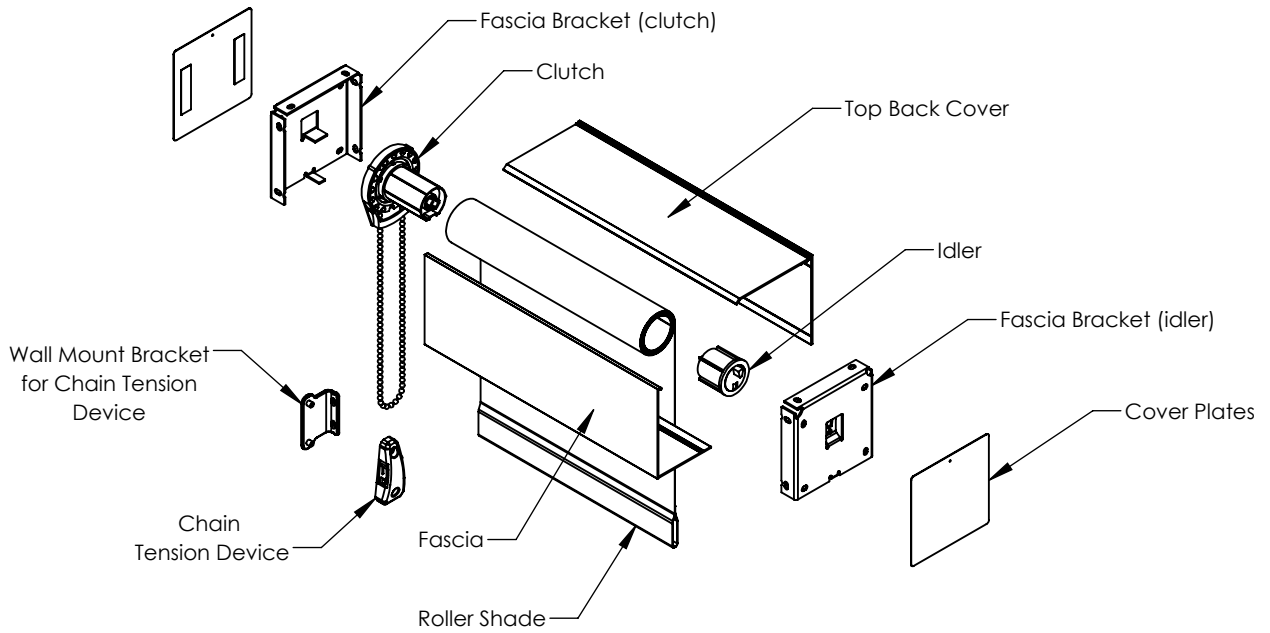




# INSOLROLL INTERIOR ROLLER SHADE

## Manual Clutch Operation with Fascia & Top/Back Cover



**Notes:**

1. Maximum clutch lift capacity for 4" Fascia = 30 lbs.
2. Shade Roll Diameter varies depending upon shade height, fabric, and roller tube specified.
3. All clutch operated shades must have a child safe bead chain tension device compliant with American National Standard for Safety of Window Covering Products (ANSI/WCMA A100.1-2022).

scale  
1 : 4