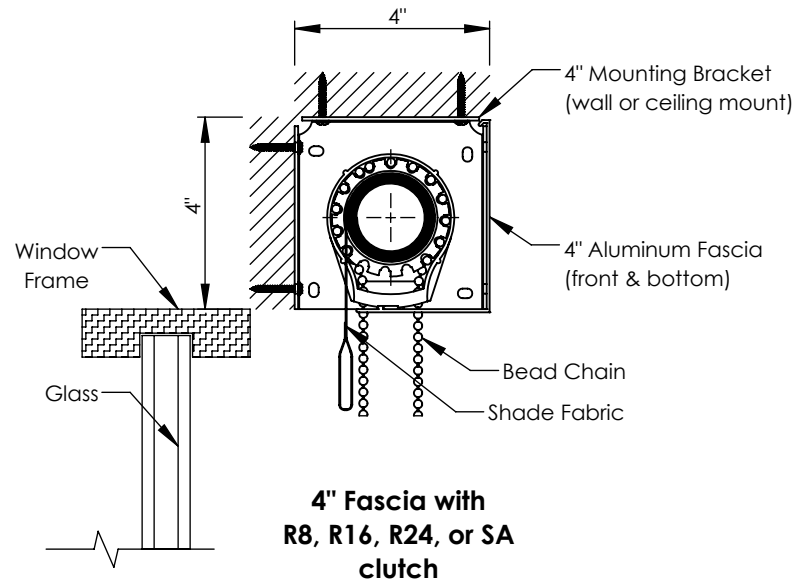
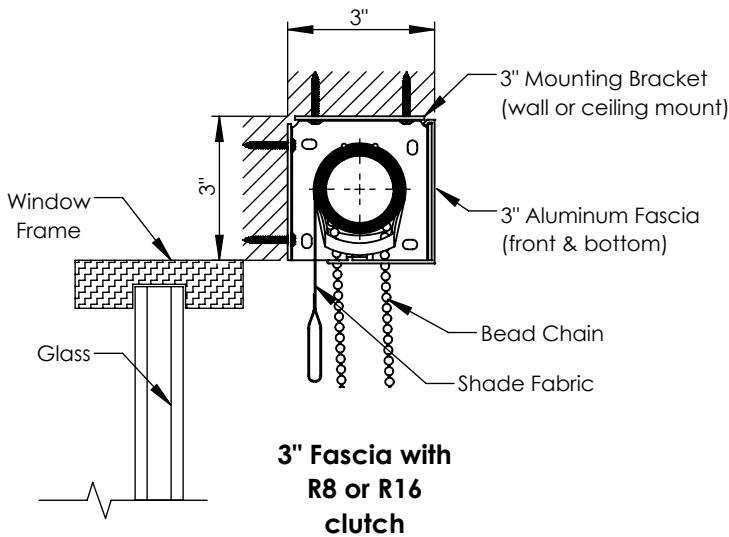
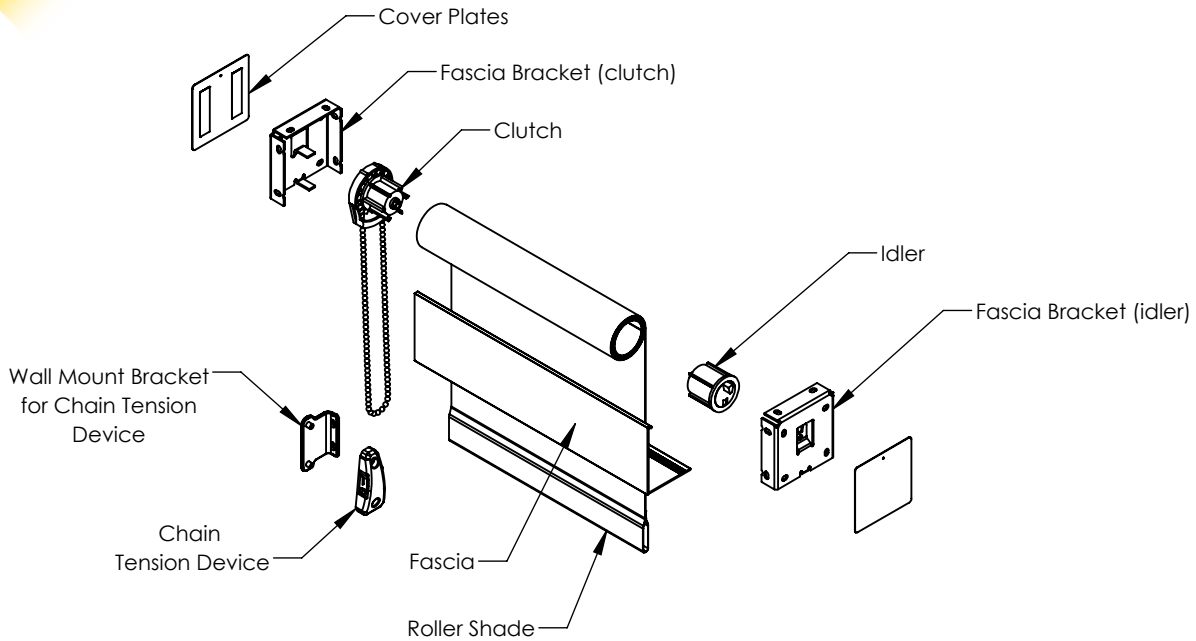




INSOLROLL INTERIOR ROLLER SHADE

Manual Clutch Operation with Fascia



Notes:

1. Maximum clutch lift capacity for 3" Fascia = 16 lbs, 4" Fascia = 30 lbs.
2. Shade Roll Diameter varies depending upon shade height, fabric, and roller tube specified.
3. All clutch operated shades must have a child safe bead chain tension device compliant with American National Standard for Safety of Window Covering Products (ANSI/WCMA A100.1-2022).

scale
1 : 4