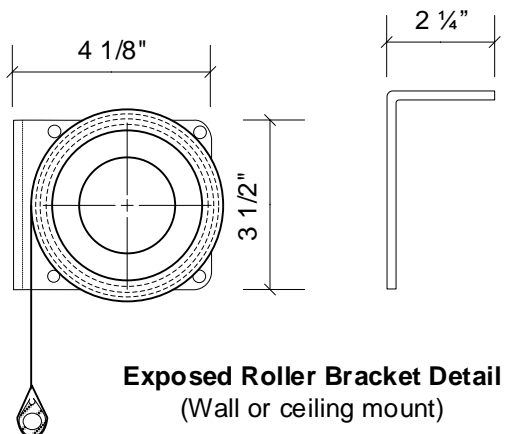
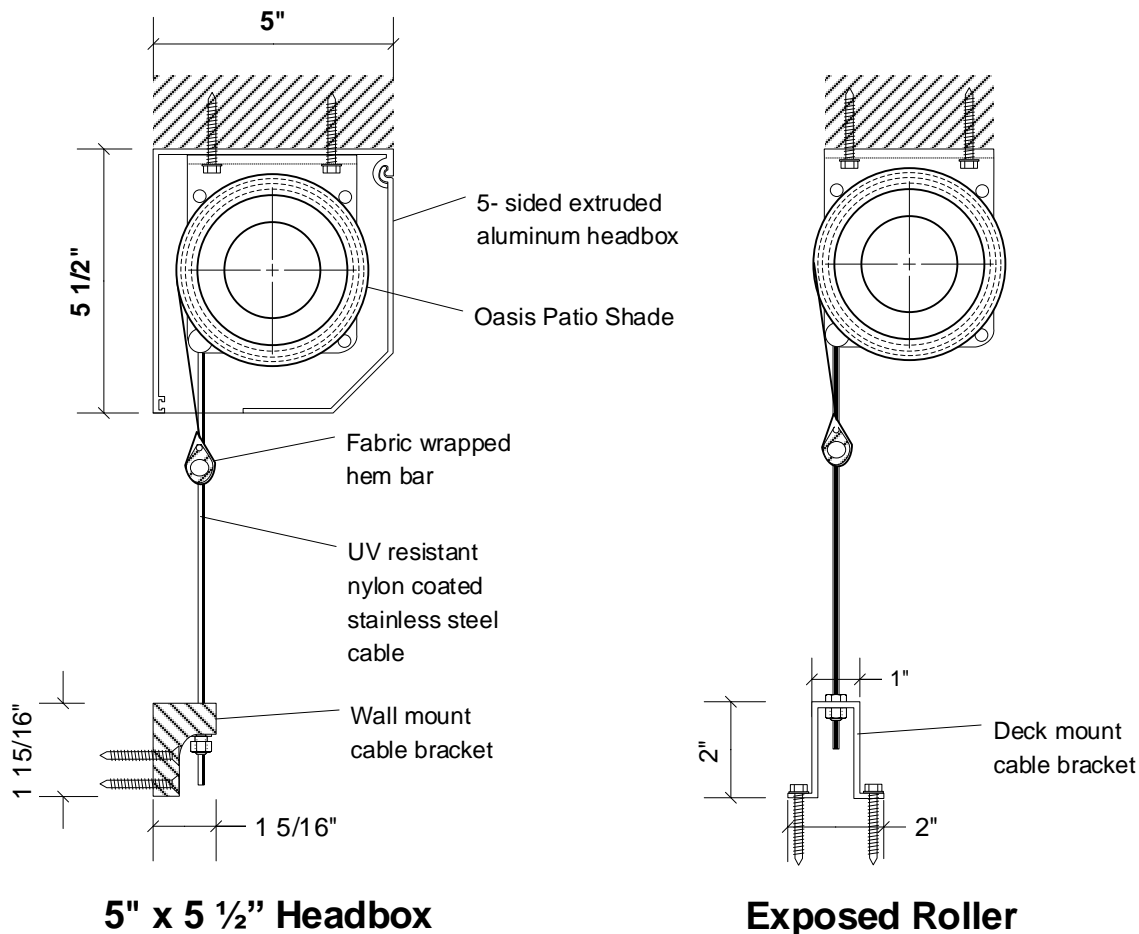


OASIS® 2800 PATIO SHADE

With Cable Guide System



Notes:

1. Oasis® 2800 Patio Shades are available motorized with choice of Somfy 110 V AC Motor or Lutron low voltage Electronic Drive Unit or with external crank & gear operation.
2. Shades with 110 V AC motors (IQM-AC, IQM-ACR, IQM-485-AC) are complete UL Listed shade systems with a 10' SJT rated pigtail and include a UL Listed label on roller tube.
3. Oasis® 2800 Patio Shades are available with 5" x 5 1/2" headbox, 5" x 5 1/2" pocket or exposed roller. Specify wall or deck mount cable bracket.

