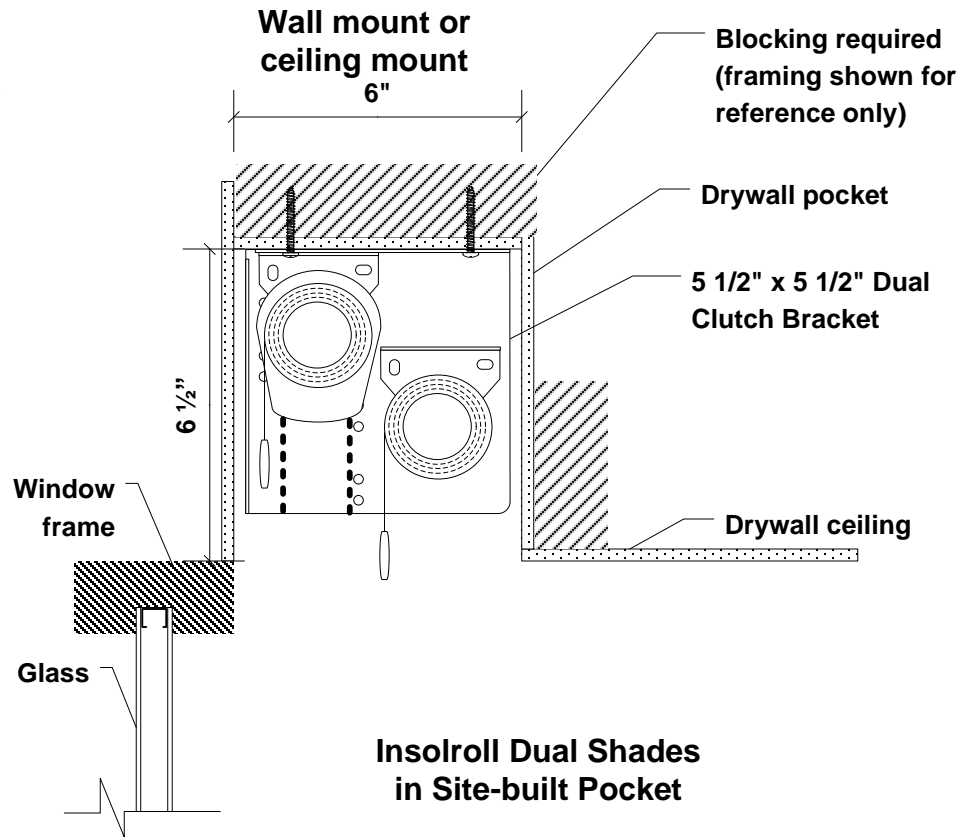
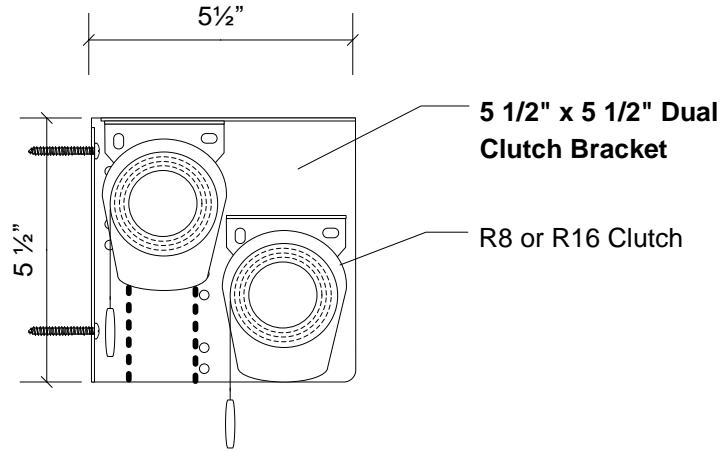
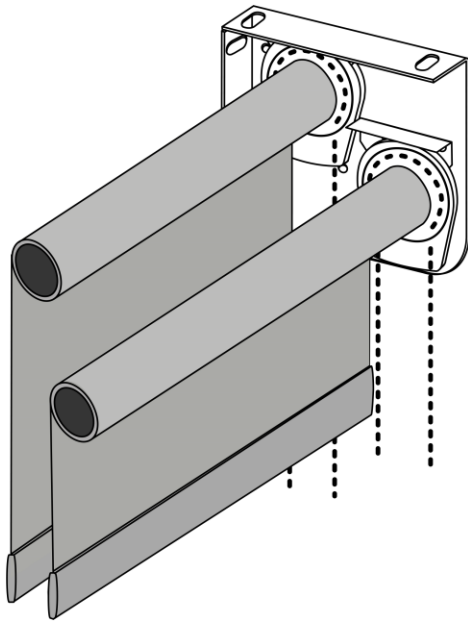




# INSOLROLL DUAL ROLLER SHADE

## Site-built Pocket with Manual Clutch Operators



**Insolroll Dual Shades  
in Site-built Pocket**

**Notes:**

1. Shade Roll Diameter varies depending upon shade height, fabric and roller tube specified.
2. 5 1/2" dual bracket can be used with clutch operators (R8 or R16).
3. All Clutch operated shades must have child safe Metal Select or Universal locking chain guide tension device compliant with American National Standard for Safety of Corded Window Covering Products (ANSI/WCMA A100.1-2018).
4. Operators can be handed: Left/Left, Right/Right, Left/Right, or Right/Left.