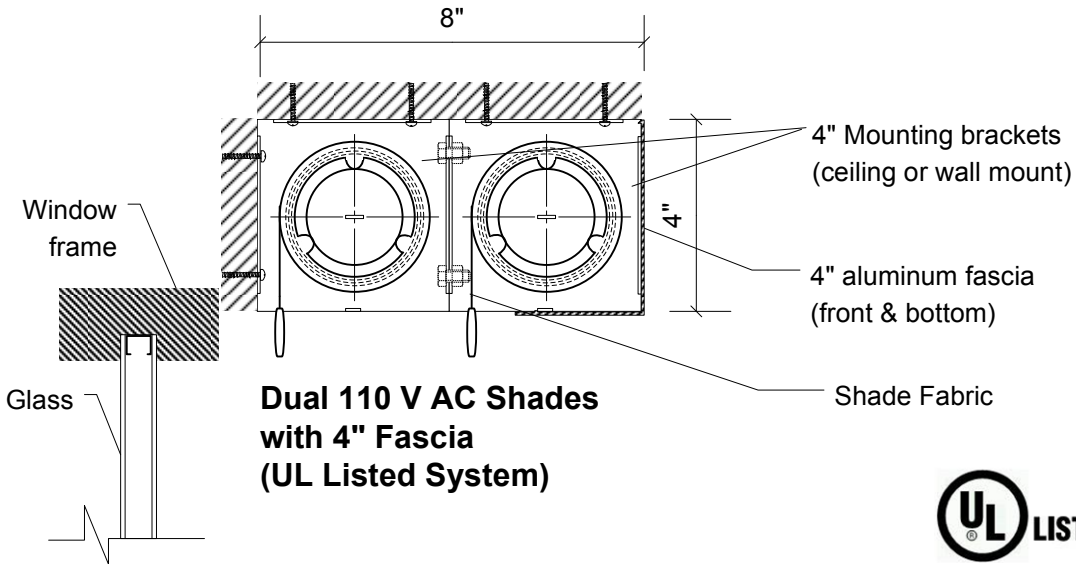
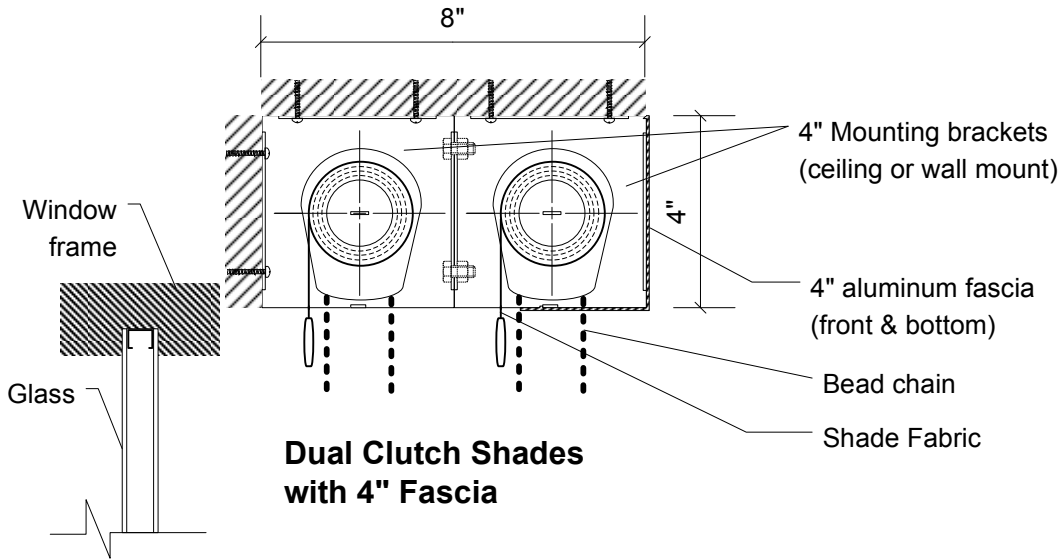




INSOLROLL DUAL ROLLER SHADE

Manual Clutch or 110 V AC Motor in 4" Fascia



Notes:

1. Dual fascia brackets consist of two 4" fascia brackets bolted together.
2. Shade Roll Diameter varies depending upon shade height and fabric and roller tube specified.
3. All Clutch operated shades must have child safe Metal Select or Universal locking chain guide.tension device compliant with American National Standard for Safety of Corded Window Covering Products (ANSI/WCMA A100.1-2018).
4. Insolroll Shades with 110 V AC Motors (IQM-AC, IQM-ACR, IQM-485-AC, IUQ-AC, IUQ-ACR, IUQ-485-AC) are complete UL Listed systems with a 10' SJT rated pigtail and include a UL Listed label on roller tube.