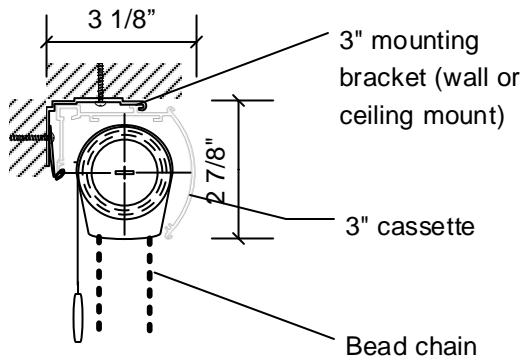
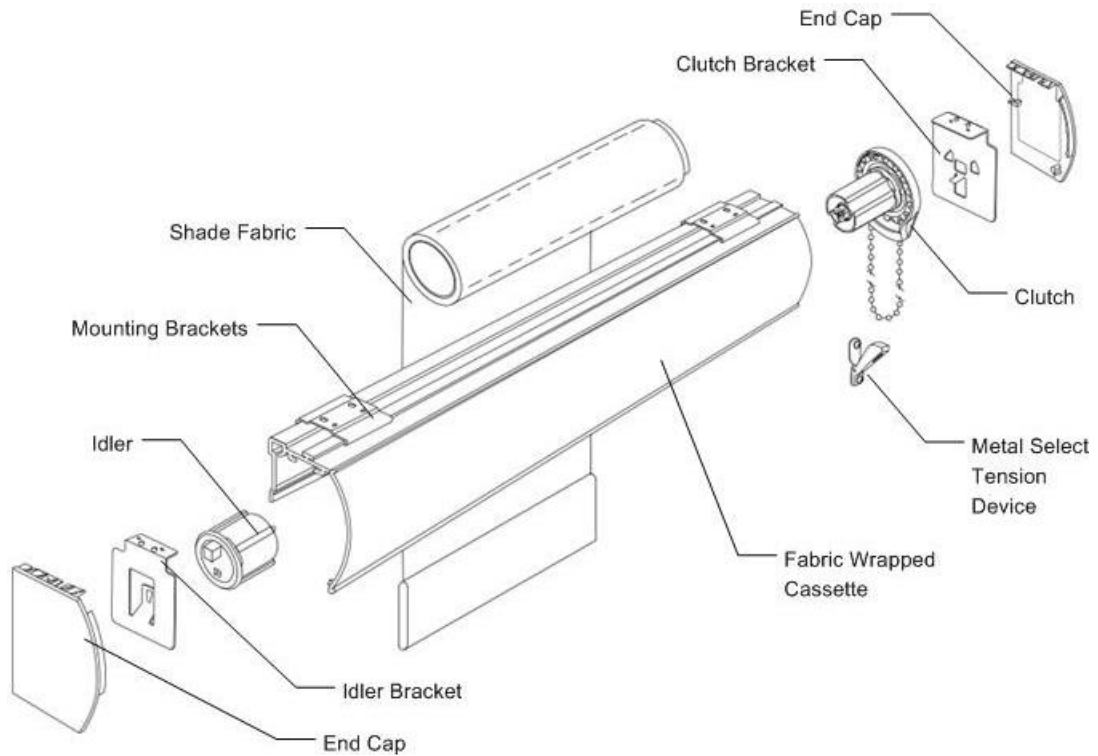


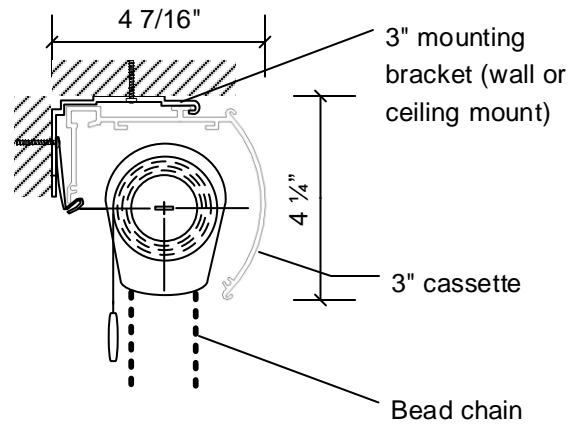


INSOLROLL INTERIOR ROLLER SHADE

Manual Clutch Operation with Cassette



3" Cassette with R8 clutch



4" Cassette with R16 or G200 clutch

Notes:

1. Maximum clutch lift capacity for 3" cassette = 8 lbs and 4" cassette = 24lbs.
2. Shade Roll Diameter varies depending upon shade height, fabric, and roller tube specified.
3. All Clutch operated shades must have child safe Metal Select or Universal locking chain guide.tension device compliant with American National Standard for Safety of Corded Window Covering Products (ANSI/WCMA A100.1-2018).