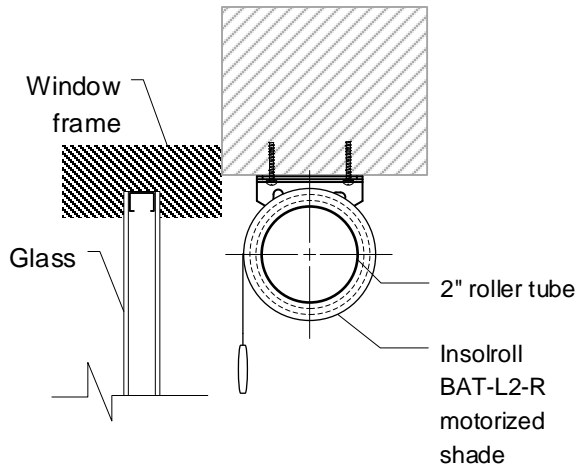


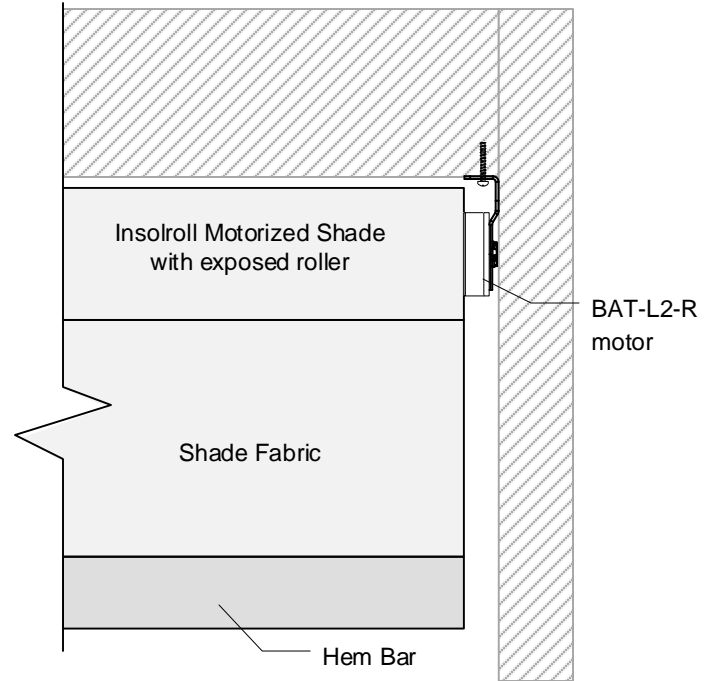


BAT-L2-R BATTERY MOTORIZED SHADE

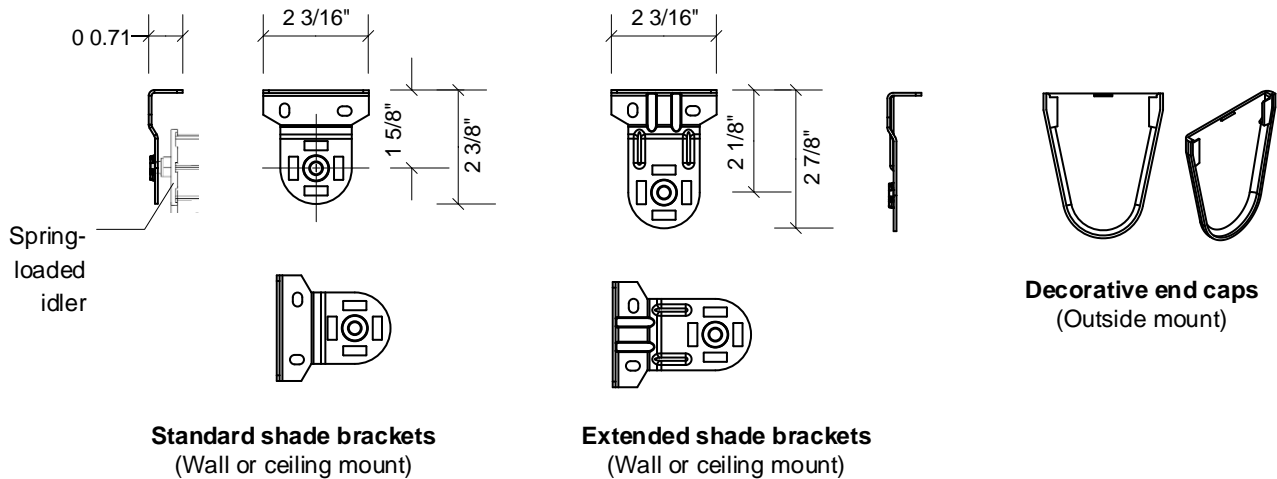
Li-ion Rechargeable Motor Shades with Exposed Roller



Section View



Front View
inside mount



Notes:

- BAT-L2-R Quiet Rechargeable Li-ion Motor has battery imbedded inside the motor.
- Optional 94" extension charging cable is available for shades with difficult access. **Do NOT leave charger plugged into motor.** Constant charging of motor causes premature wear on the battery pack.
- Shade Roll Diameter varies depending upon shade height and fabric and roller tube specified.
- Fabric deductions are 23/32" on motor side and 21/32" idler side (1 3/8" overall fabric deduction from outside bracket width). Optional decorative end caps add 1/8" to each bracket.
- Shades taller than 84" require extended mounting brackets.