

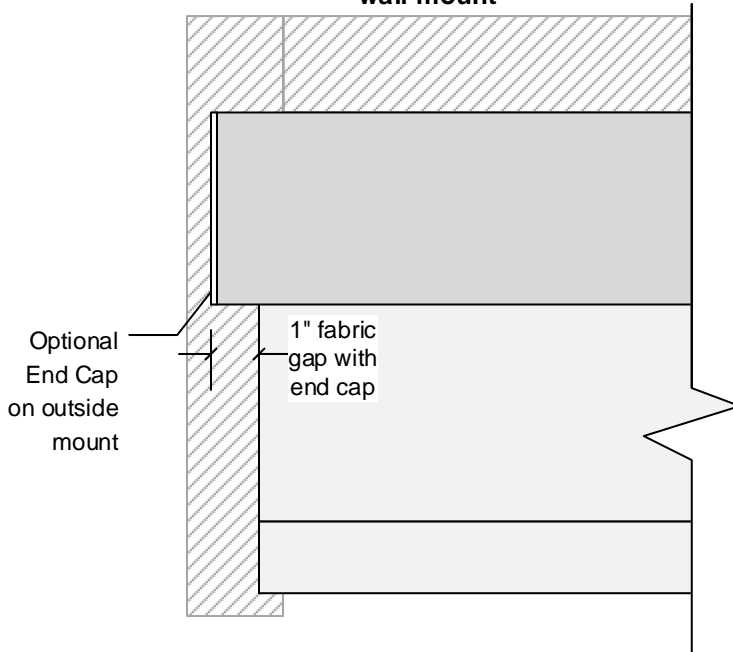


INSOLROLL INTERIOR MOTORIZED SHADE

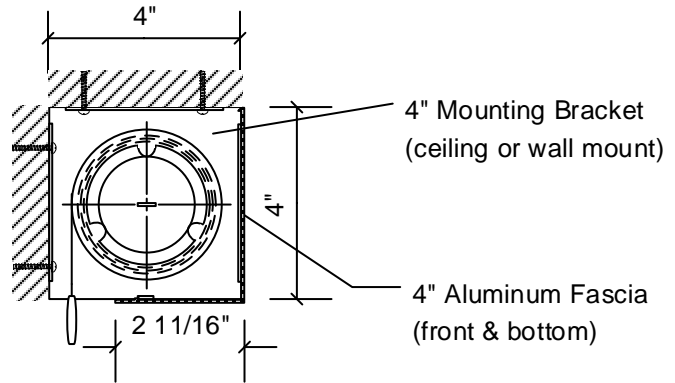
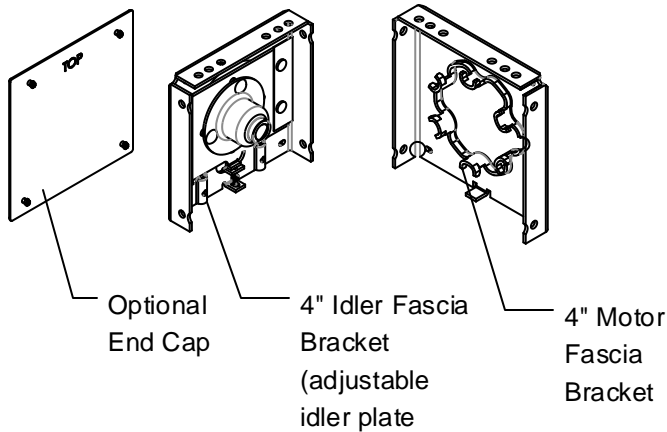
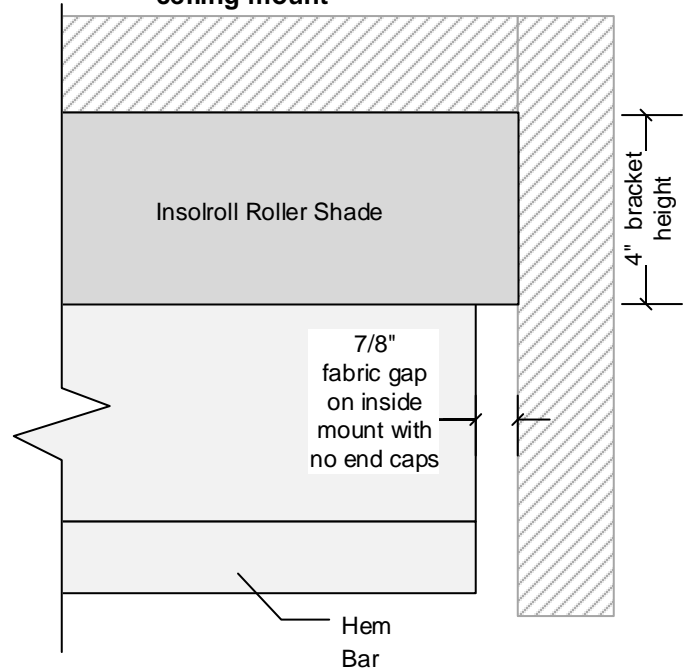
Motorized Shades with Fascia



**Outside Mount
wall mount**



**Inside Mount
ceiling mount**



4" Fascia with 110 V AC motor shade

Notes:

1. Insolroll Shades with 110 V AC Motors (IQM-AC, IQM-ACR, IQM-485-AC, IUQ-AC, IUQ-ACR, IUQ-485-AC) are complete UL Listed systems with a 10' SJT rated pigtail and include a UL Listed label on roller tube.
2. Shade Roll Diameter varies depending upon shade height and fabric and roller tube specified.
- 3A. Fabric gap is 7/8" on both motor and idler side (1 3/4" overall fabric deduction from outside bracket width).
- 3B. Optional decorative end caps add 1/8" to each bracket (2" overall fabric deduction from outside end caps).
- 3C. If end caps are ordered for partial inside mount, factory will make appropriate deductions (1" fabric gap each side).
4. Fascia, brackets, and end cap are available in 5 colors; black, white, bronze, vanilla or silver/gray.