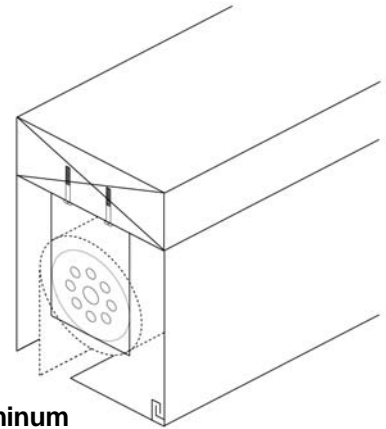
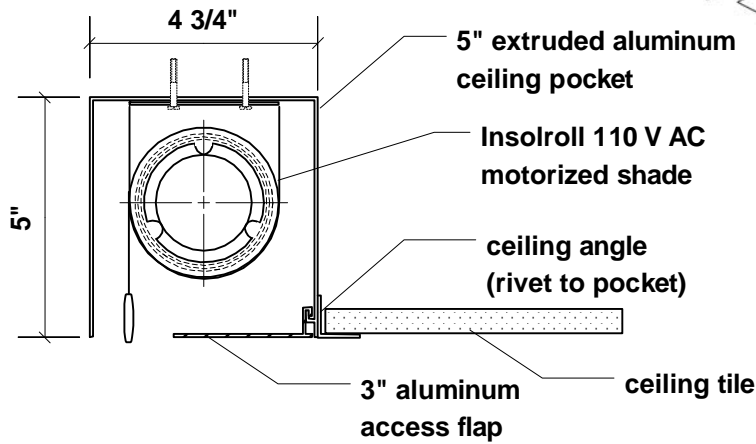


# RADIANCE MOTORIZED SHADE

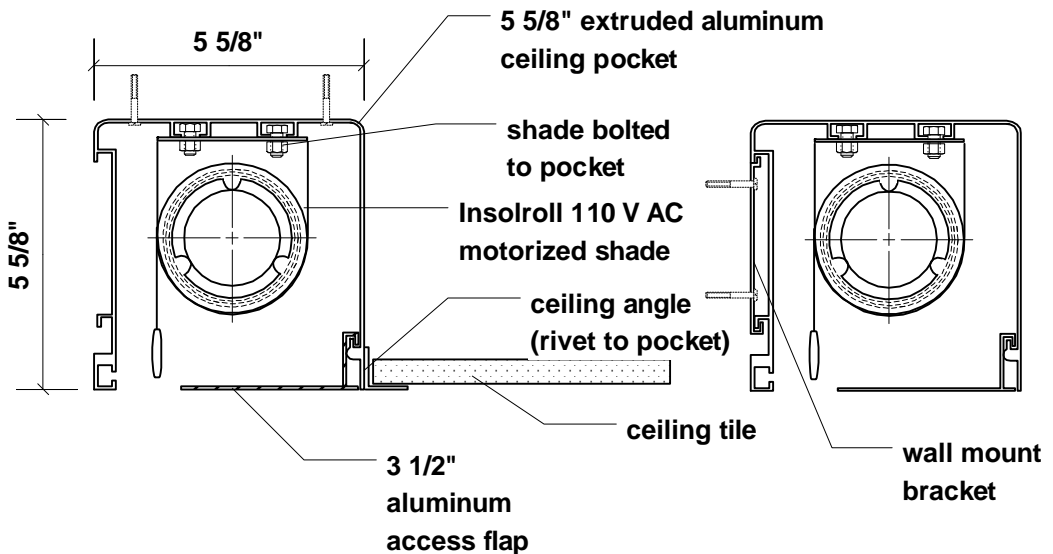
## 110 V AC Motor Mounted in Shade Pocket



**5" extruded aluminum Shade Pocket ceiling mount**



**5 5/8" extruded aluminum Shade Pocket ceiling or wall mount**



**Notes:**

1. 5 5/8" pocket has screw on end caps and wall mount bracket suitable for surface mount applications
2. Shade Roll Diameter varies depending upon shade height and fabric and roller tube specified.
3. Bracket details work for STD-AC, STD-ACR, STD-ILT, IQM-AC, IQM-ACR, and IQM-ILT motors.