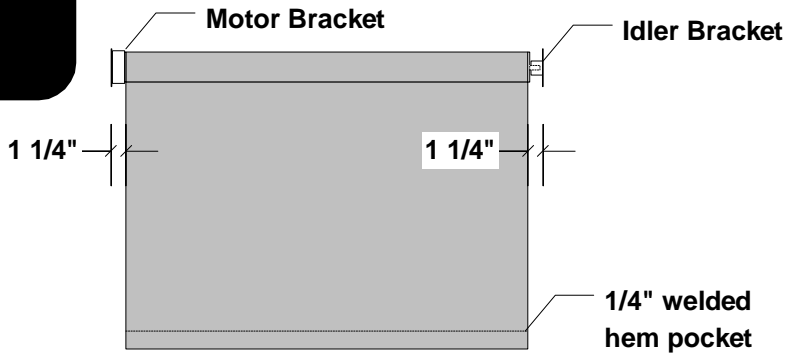


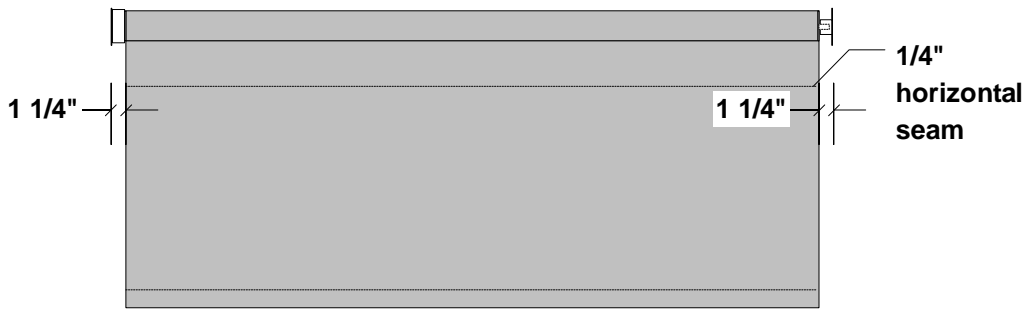
RADIANCE MOTORIZED SHADE

110 V AC Motor Shade Panel configurations

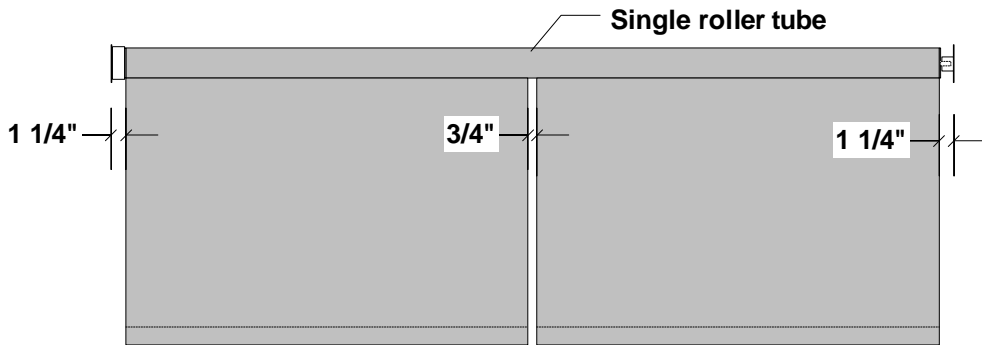
**Single Panel
Non-railroaded
Shade**



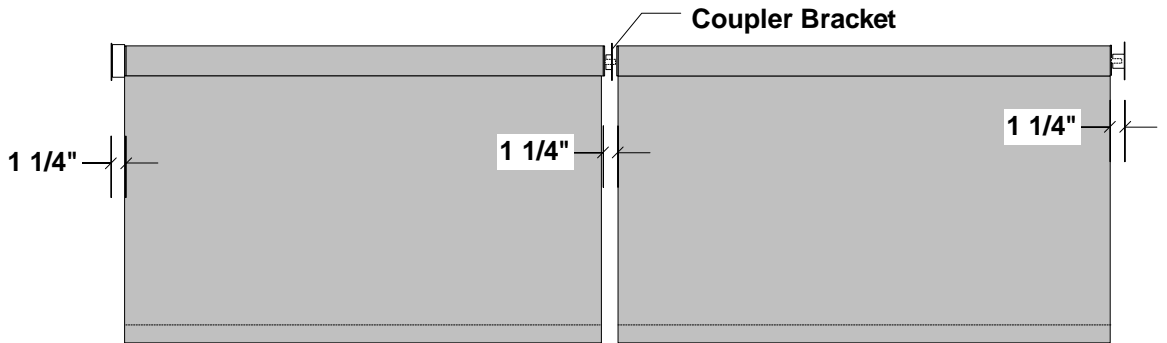
**Single Panel
Railroaded
Shade**



**Multiple Panel
Non-railroaded
Shade**



**Coupled Panel
Non-railroaded
Shade**



Notes:

1. Bracket details work for STD-AC, STD-ACR, STD-ILT, IQM-AC, IQM-ACR, and IQM-ILT motors.