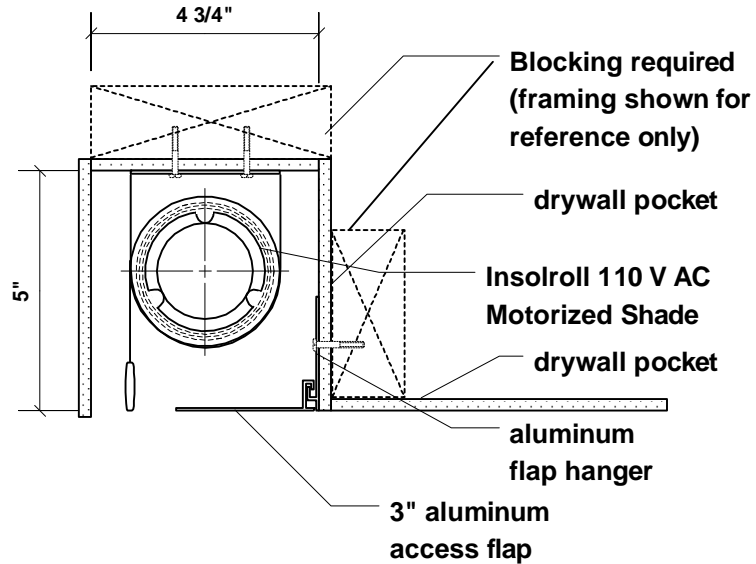




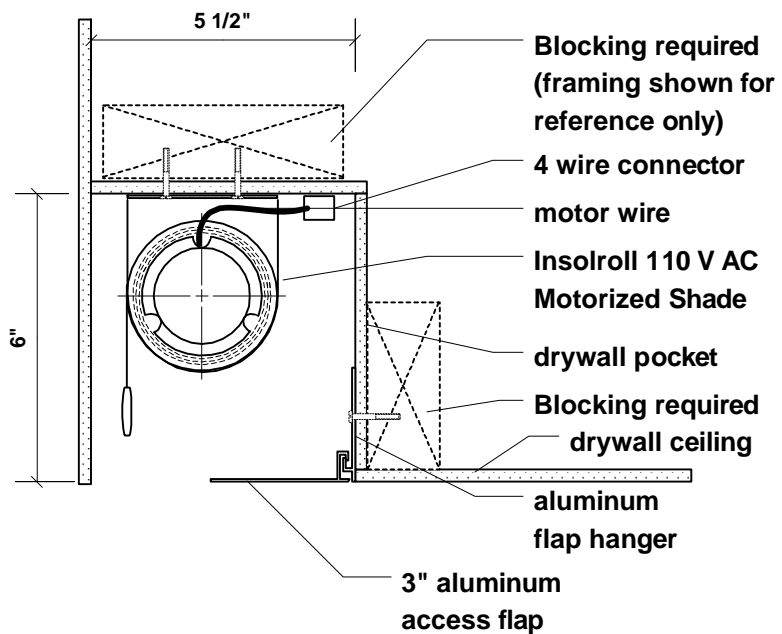
RADIANCE MOTORIZED SHADE

110 V AC Motor in site-built Pocket

**5" site-built
Shade Pocket**



**6" site-built
Shade Pocket
with 4-wire
connector**



Notes:

1. 5" site-built Shade Pocket typically detailed in applications with J-box in front of pocket or beyond end brackets.
2. 6" site-built Shade Pocket can accommodate extended brackets, larger shades, and 4-wire connector.
3. Shade Roll Diameter varies depending upon shade height and fabric and roller tube specified.
4. Bracket details work for STD-AC, STD-ACR, STD-ILT, IQM-AC, IQM-ACR, and IQM-ILT motors.