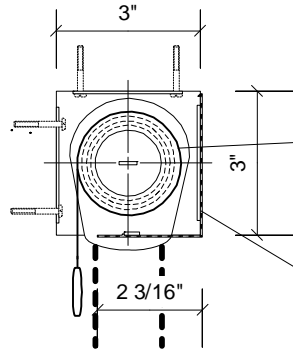


RADIANCE CLUTCH SHADE

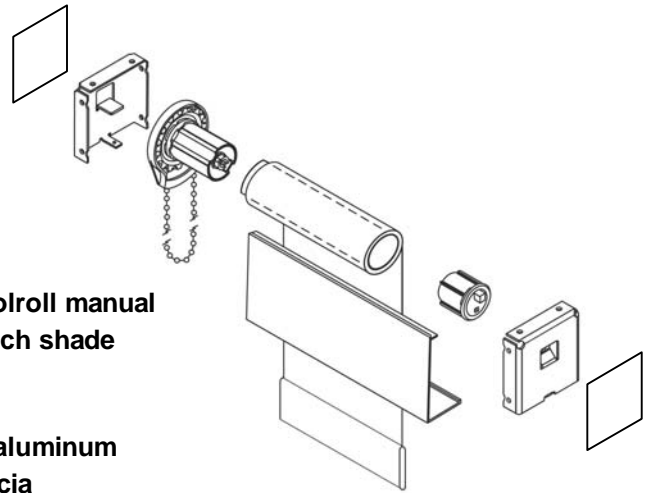
Manual clutch with fascia or cassette hardware

3" fascia mounting brackets
ceiling or wall mount

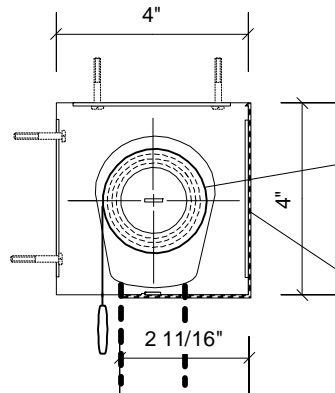


Insolroll manual clutch shade

3" aluminum fascia (front & bottom)



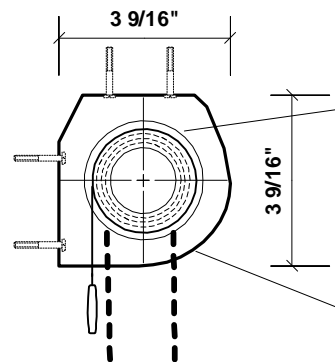
4" fascia mounting brackets
ceiling or wall mount



Insolroll manual clutch shade

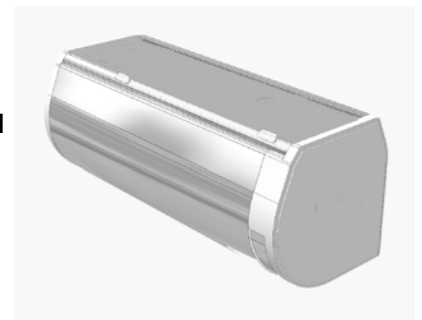
4" aluminum fascia (front & bottom)

3 9/16" cassette direct mount
through top (ceiling) or back of cassette box (wall mount)



Insolroll manual clutch shade

3 9/16" aluminum cassette (fully enclosed)



Notes:

1. Maximum clutch lift capacity for 3" fascia = 16 lbs, 4" fascia = 30 lbs, and 3 9/16" cassette = 24 lbs.
2. Shade Roll Diameter varies depending upon shade height, fabric, and roller tube specified.