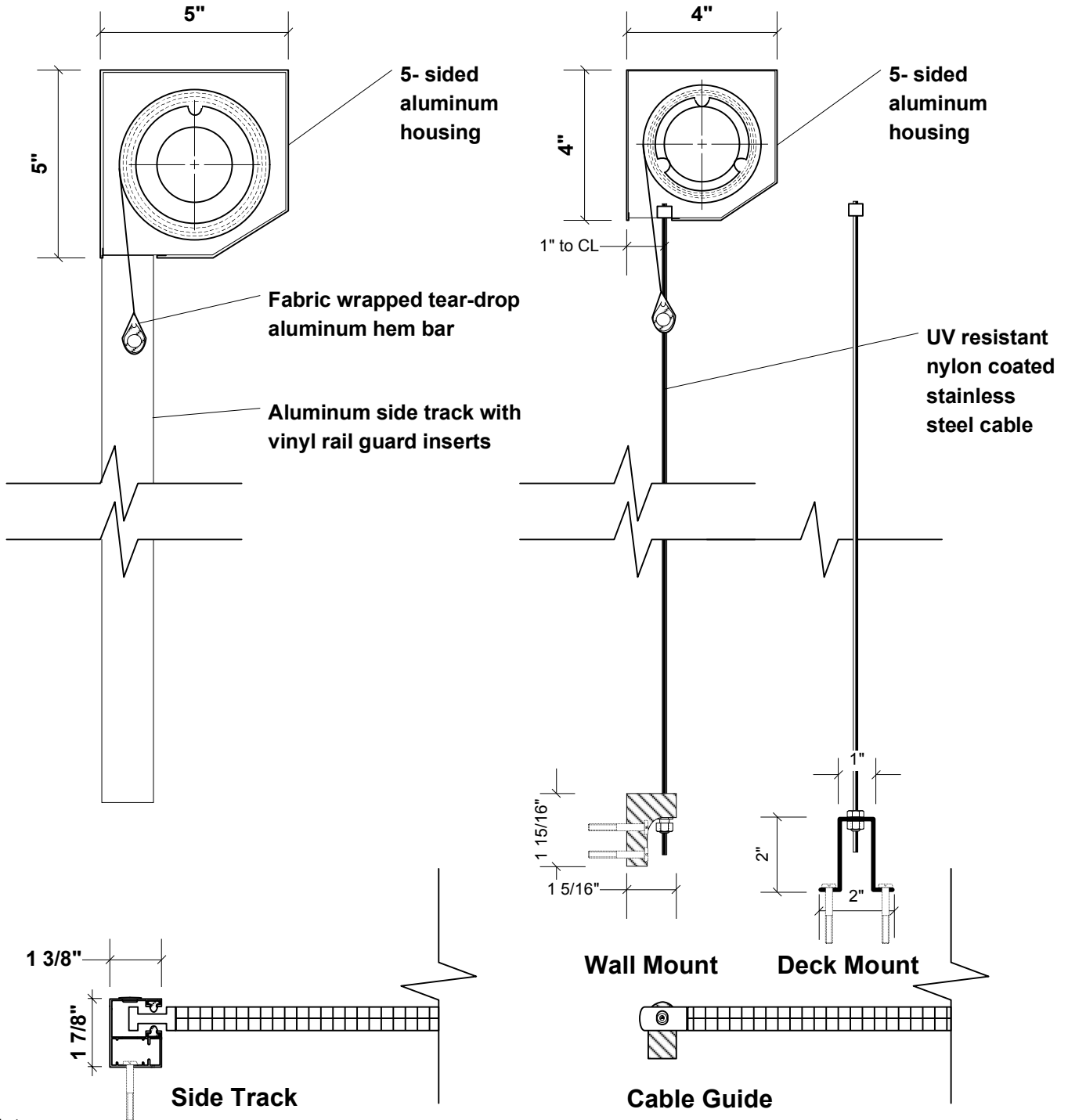




OASIS® 2800 PATIO SHADE

With Side Tracks OR Cable Guides



Notes:

1. Oasis® 2800 Patio Shades are available with side track or cable guide.
2. Oasis® 2800 Patio Shades are available with motor or external crank & gear operation.
3. Oasis® 2800 Patio Shades under 120" wide and 120" high are available with 4" or 5" headbox. Larger shades use 5" headbox.