

Intelligent

WINDOW TREATMENT
MOTORIZATION



TAKING YOUR VISION TO REALITY...

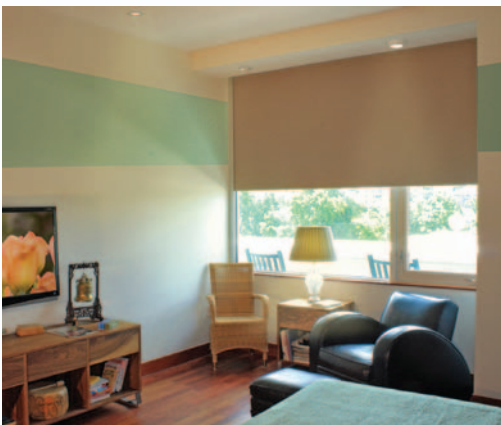
with seamless connectivity



DESIGN FUNCTION PERFORMANCE



- Oasis® 2900 Solar Insect Shades
Keep the bugs and the sun out of your outdoor living space.
- Environmentally Friendly High Performance Fabrics
 - SilverScreen
 - EnviroScreen
- Natural Weave Fabrics
- Quiet Motors
Advancements in motor technology have led to significantly quieter motor solutions for window treatments. Insolroll offers a complete array of AC and DC motors that set a new standard for “Quiet” in window treatment motorization. Our Insolroll Quiet Motors (IQM) with a noise rating of 44 db have become the new benchmark for quality, and feature variable speed motors for consistent run speed and alignment.



Audio-visual Shades maximize the functionality and enjoyment of media and technology in your home.



Environmentally Friendly High Performance Fabrics



Motorized Insolroll Radiance™ solar screen shades increase both comfort and energy efficiency in your space.

OUR "OPEN ARCHITECTURE ADVANTAGE" FOR HOME AUTOMATION...

SEAMLESS CONNECTIVITY



CHOICES FOR WIRING AND HOME TECHNOLOGY

Radio Controlled Motors



The radio interface option is the easiest method of window treatment integration in home technology applications. It eliminates wiring "home runs" to controls. Our 16 channel interface allows users to convert infrared, RS-232, and RS-485 protocol into radio technology for RF control of window coverings. A single channel dry contact interface is also available. Motors are programmed to respond to the interface module as if it were a hand-held radio transmitter.

Intelligent Motor Controls



The centralized Intelligent Motor Controller solution is simple, reliable, and easy to interface with third party home automation or lighting controls. Intelligent Motor Controllers accept switching inputs via RS-232, dry contact, or infrared connections. Two-way data feedback is provided between motors and controls.

Intelligent AC and DC Motors



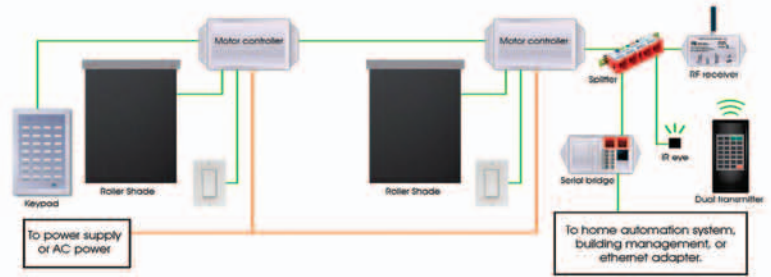
Programmable motor controllers are built into the head of each window treatment motor and are linked to controls. The system offers seamless integration and two-way data feedback between motors and controls.



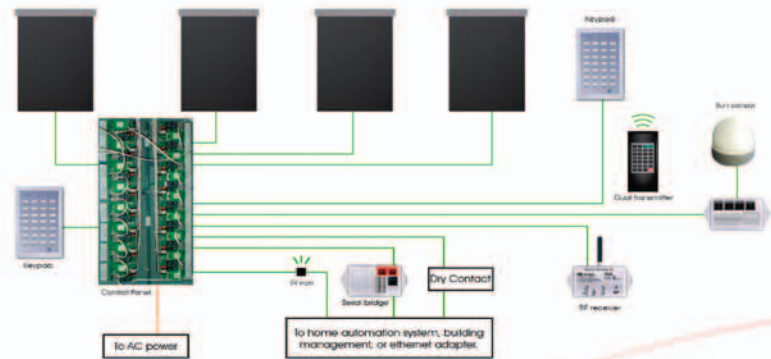
Get complete technical information at www.insolroll.com

MOTOR CONTROL SCENARIOS

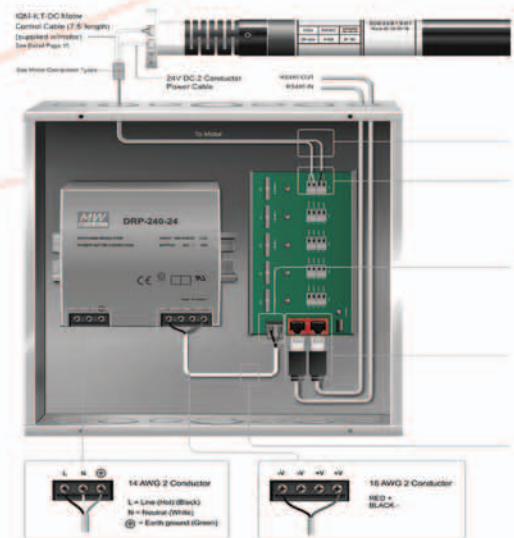
Example of Distributed Control Network



Example of Centralized Control Network



IQM-ILT-DC Motor Control & Power Distribution



We look forward to working with you.

637 S. PIERCE AVE., LOUISVILLE, CO 80027

tel 800.447.5534 fax 303.665.1209

www.insolroll.com info@insolroll.com

